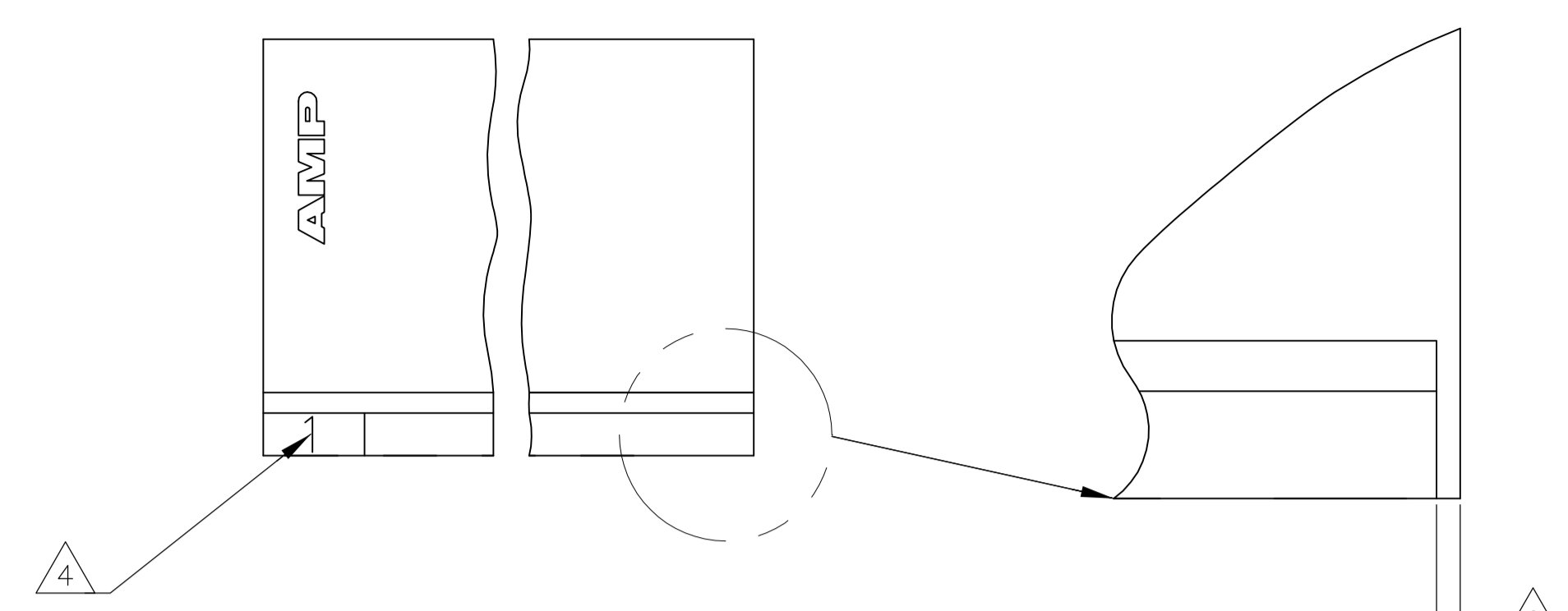
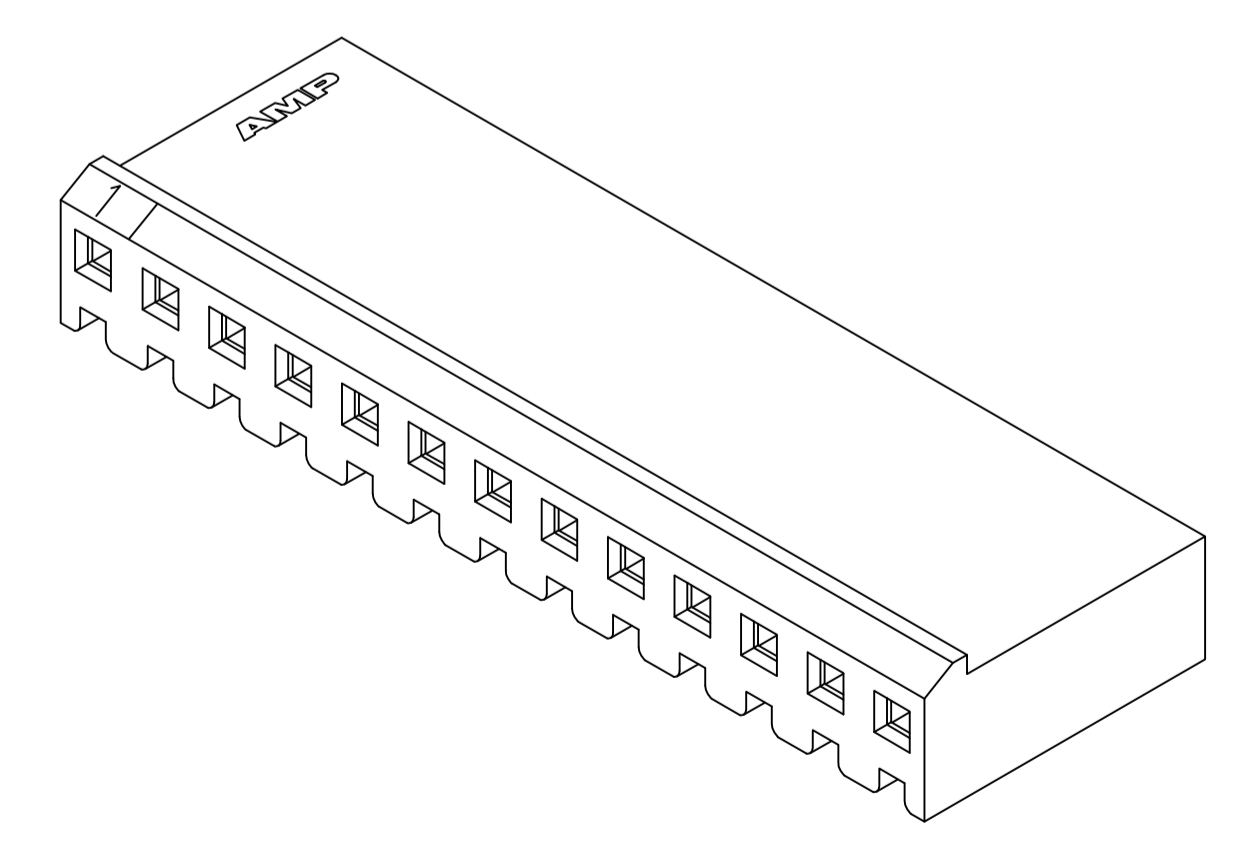
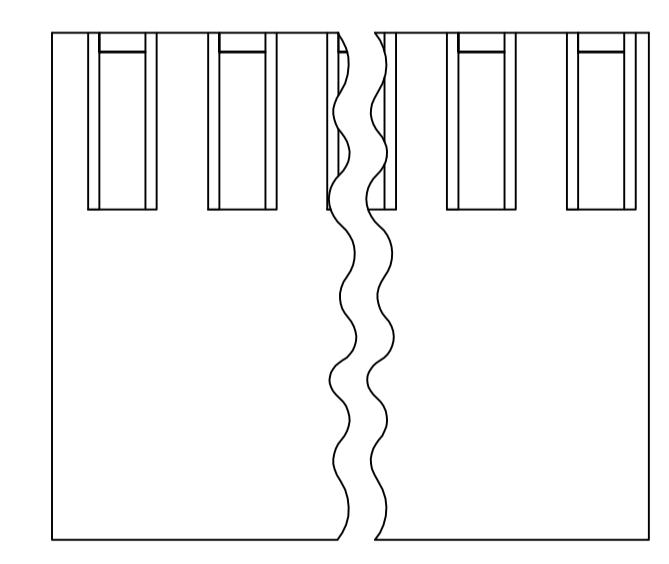
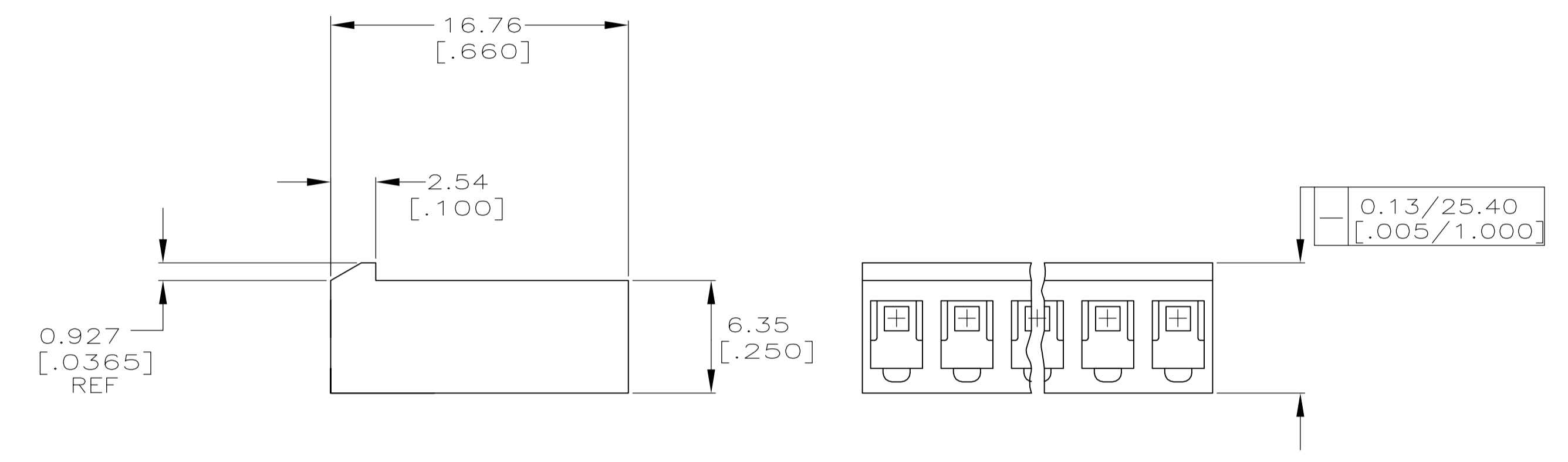
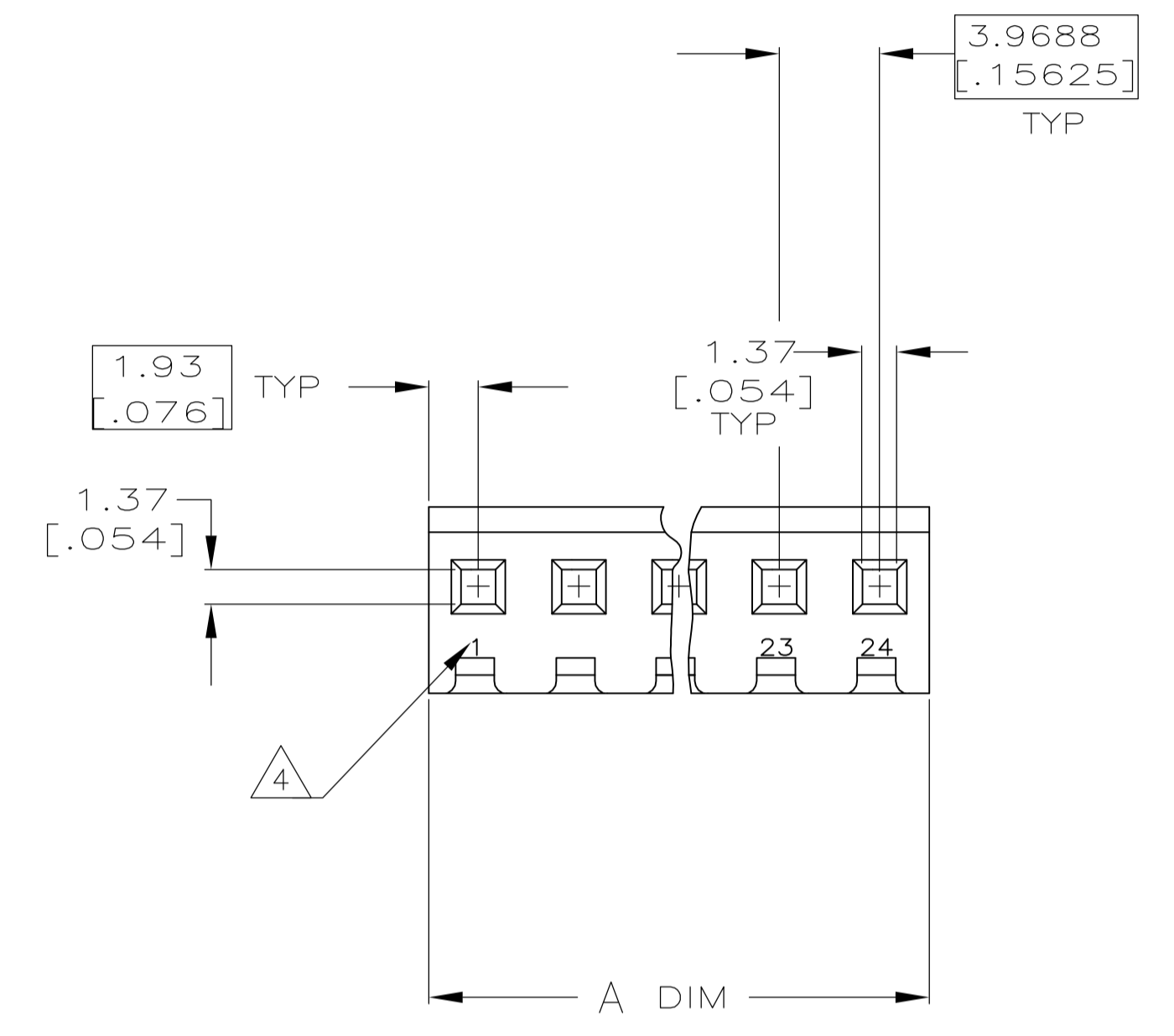


| LOC | DIST | REVISIONS                 |         |     |      |
|-----|------|---------------------------|---------|-----|------|
| P   | LTR  | DESCRIPTION               | DATE    | DWN | APVD |
| V   |      | REVISED PER ECO-12-007807 | 06AUG12 | KH  | SM   |



SCALE 10:1



3-DIMENSIONAL MODEL NTS

- 1 UNIT ACCEPTS 1.14 [.045] SQUARE OR ROUND POST.
- 2 UNIT ACCEPTS STANDARD SL-156 CONTACTS.
- 3 UNIT ACCEPTS KEYING PLUG 640254-1 AND KEYING PIN 640255-1.
- 4 CIRCUIT I.D. NUMBER(S), TO BE LOCATED SEQUENTIALLY AS SHOWN OR ONLY NO.1 CIRCUIT PLACED ON LOCKING RAMP.
- 5 DIMENSIONS IN BRACKETS ARE IN INCHES.
- 6 OPTIONAL CONSTRUCTION (BOTH CORNERS) UP TO 0.38 [.015] FOR P/N -1 THRU -5, UP TO 1.27 [.050] FOR P/N -6 THRU 2--4.

|                |         |                 |            |
|----------------|---------|-----------------|------------|
| 95.15          | [3.746] | 24              | 2-640250-4 |
| 91.19          | [3.590] | 23              | 2-640250-3 |
| 87.20          | [3.433] | 22              | 2-640250-2 |
| 83.24          | [3.277] | 21              | 2-640250-1 |
| 79.27          | [3.121] | 20              | 2-640250-0 |
| 75.31          | [2.965] | 19              | 1-640250-9 |
| 71.32          | [2.808] | 18              | 1-640250-8 |
| 67.36          | [2.652] | 17              | 1-640250-7 |
| 63.40          | [2.496] | 16              | 1-640250-6 |
| 59.44          | [2.340] | 15              | 1-640250-5 |
| 55.45          | [2.183] | 14              | 1-640250-4 |
| 51.49          | [2.027] | 13              | 1-640250-3 |
| 47.52          | [1.871] | 12              | 1-640250-2 |
| 43.56          | [1.715] | 11              | 1-640250-1 |
| 39.57          | [1.558] | 10              | 1-640250-0 |
| 35.61          | [1.402] | 9               | 640250-9   |
| 31.65          | [1.246] | 8               | 640250-8   |
| 27.69          | [1.090] | 7               | 640250-7   |
| 23.70          | [.933]  | 6               | 640250-6   |
| 19.74          | [.777]  | 5               | 640250-5   |
| 15.77          | [.621]  | 4               | 640250-4   |
| 11.81          | [.465]  | 3               | 640250-3   |
| 7.82           | [.308]  | 2               | 640250-2   |
| 3.86           | [.152]  | 1               | 640250-1   |
| A #0.25 [.010] |         | NO. OF CIRCUITS |            |

THIS DRAWING IS A CONTROLLED DOCUMENT.

|                                  |  |             |                                   |
|----------------------------------|--|-------------|-----------------------------------|
| DIMENSIONS: mm [INCHES]          | TOLERANCES UNLESS OTHERWISE SPECIFIED: | DIN 7-27-92 | STE TE Connectivity               |
| 0 PLC ± -                        | 1 PLC ± -                              | 7-27-92     | NAME                              |
| 2 PLC ± -                        | 3 PLC ± 0.13 [.005]                    | 7-27-92     | HOUSING WITH LOCKING RAMP, SL-156 |
| 4 PLC ± -                        | ANGLES ± 0° 30'                        | 9-28-92     | SIZE                              |
| MATERIAL NYLON, UL 94V-0 NATURAL | FINISH -                               |             | WEIGHT                            |
|                                  |  |             | SCALE 4:1                         |
|                                  |  |             | SHEET 1 OF 1                      |
|                                  |  |             | REV V                             |

CUSTOMER DRAWING